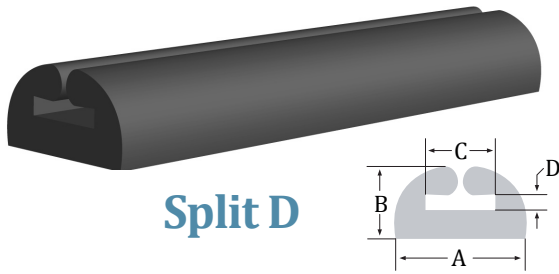


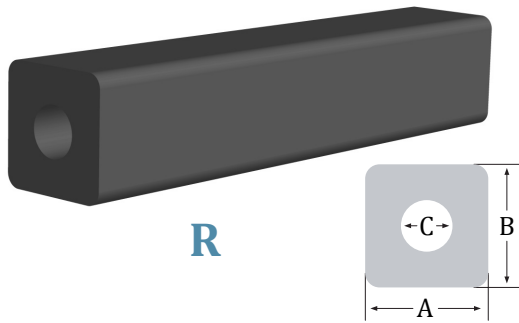


Bumpers & Fenders



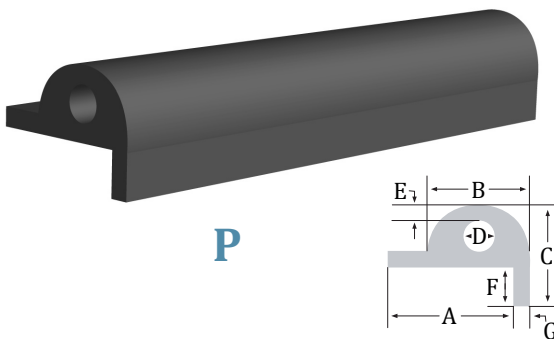
Profile	A	B	C	D
Split-D1	1.80	1.00	1.00	0.25

Dimensions (in)



Profile	A	B	C
R5	5.00	5.00	2.50
R6	6.00	6.00	3.00
R7b	10.00	7.00	3.00
R8	8.00	8.00	3.00
R10	10.00	10.00	4.00

Dimensions (in)



Profile	A	B	C	D	E	F	G
P4.5	4.50	3.30	3.30	1.00	0.50	1.30	0.50

Dimensions (in)

Other custom shapes and sizes available upon request.

