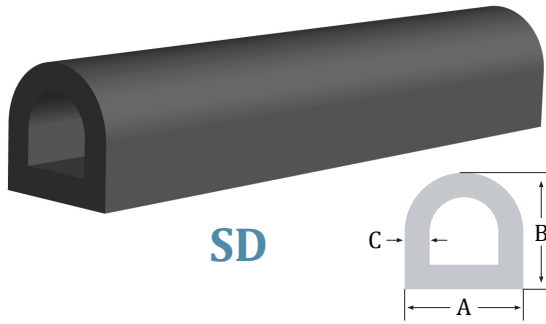


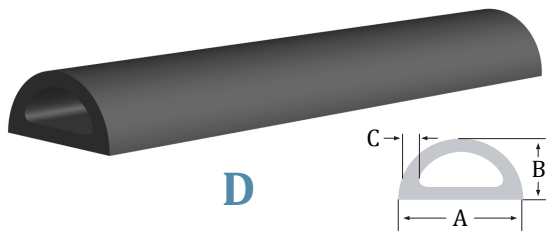


## Bumpers & Fenders



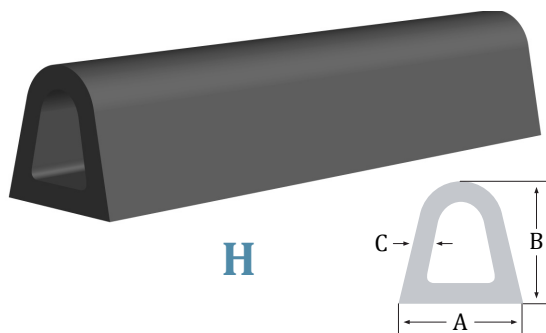
Profile	A	B	C
SD1.5	1.70	1.70	0.25
SD3	3.00	3.00	0.75
SD4	4.00	4.00	1.00
SD5	5.00	5.00	1.25
SD6	6.25	6.25	1.50
SD8	8.00	8.00	2.00
SD10	10.0	10.0	2.50
SD12	12.0	12.0	3.00

Dimensions (in)



Profile	A	B	C
D1	3.12	1.80	0.40
D2	4.25	2.75	0.75
D4	6.37	4.00	1.50
D5	8.00	5.00	1.75

Dimensions (in)



Profile	A	B	C
H2	2.00	2.00	0.40
H2.5	2.60	2.20	0.40
H3	3.00	3.00	0.60
H4.5	4.50	3.80	0.80
H6	6.75	6.00	1.50
H9.5	9.50	8.00	1.87

Dimensions (in)

Other custom shapes and sizes available upon request.

