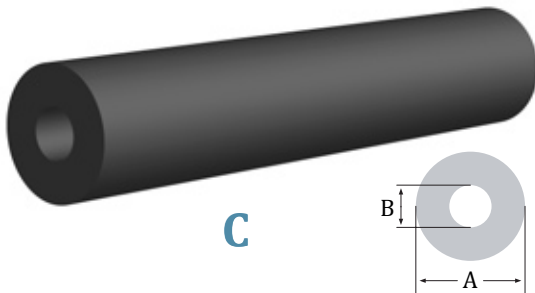


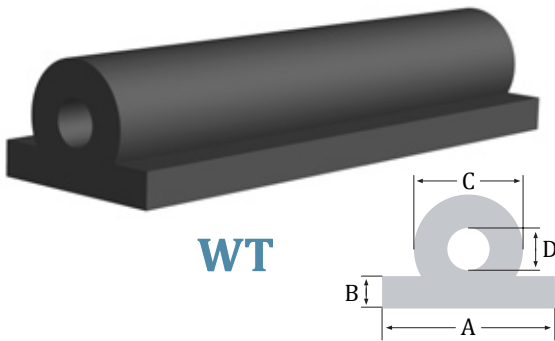


## Bumpers & Fenders



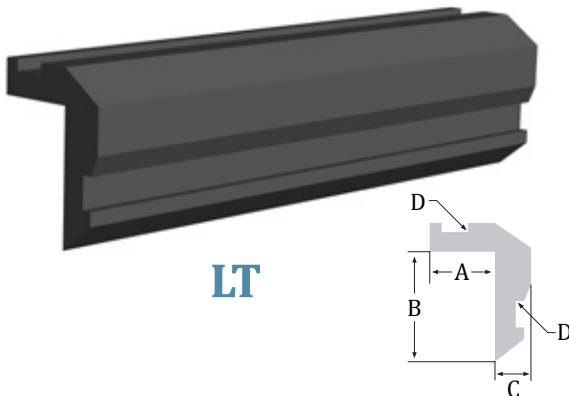
Profile	A	B
C3	3.00	1.00
C4	4.00	2.00
C6	6.00	3.00
C8	8.00	4.00

Dimensions (in)



Profile	A	B	C	D
WT2.5	4.00	0.50	2.50	1.00
WT3	6.00	0.80	3.00	1.00
WT4	6.50	1.00	4.00	1.00
WT6	9.00	1.50	6.00	3.00

Dimensions (in)



Profile	A	B	C	D
LT1	1.80	3.10	1.00	0.75 x 0.25

Dimensions (in)

Other custom shapes and sizes available upon request.

